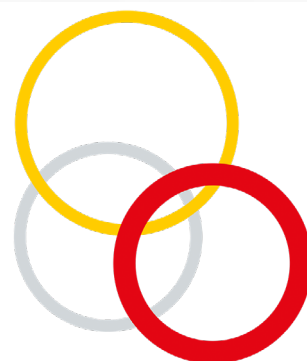


Mobile and flexible high vacuum unit for powerful dust extraction at long distances

MCV-370
MCV-450

LAJAC

lajac.com



LAJAC



Use the Lajac MCV-370 (37 kw) or MCV-450 (45 kw) for simple and effective dust handling in tight spaces, such as in boat hulls or similar. Ready to use immediately. Just connect to be up and running.

Compact and safe with a minimal need for floor space. Up to 20 users per device. Up to 70 meter hose length.

Robust, reliable and designed for long operating times and minimal maintenance.

Pressure sensors are standard to control air flow and to maintain the desired suction capacity. Which in turn maximizes energy efficiency by lowering power consumption when fewer vacuum points are active.

Sound filter for effective noise reduction around the vacuum system.

Automatic filter cleaning with built-in compressor via reverse air jet.

Frequency converters are used for optimal monitoring, which leads to increased efficiency, reduced carbon footprint and reduced energy consumption.

Filter replacement is normally done after 4000-6000 operating hours.

Installation requires connection.

Weight – 3500 kg.





The Lajac MCV-System is based on a 10-foot container that is easily lifted into place with hooks or with a forklift. There are all possibilities to customize the installation both in terms of function and color. We also provide the container with your company's logo if desired.

The system starts and stops gradually to minimize the load on the power supply and mechanical components. The fan is equipped with safety valve to prevent overheating at low air flow.

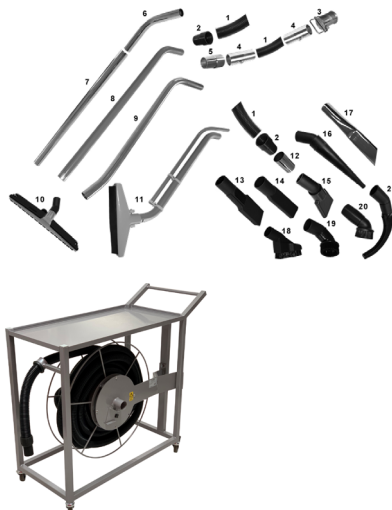
Filtration via cyclone separator and cartridge filter system with automatic filter cleaning. Filter cleaning is carried out if necessary during operation and also as part of the shutdown process.

Daily and weekly checks for possible damage to ducts, hoods, etc. performed according to recommendations, but the system also monitors itself.

Technical data		
	MCV-370	MCV-450
Dimensions	Length 3,05m Width 2,44m Height 2,59m	Length 3,05m Width 2,44m Height 2,59m
Power supply	3x400 VAC min 100A	3x400 VAC min 100A
Weight	3500kg	3500kg
Design airflow	3000m ³ /h @20kPa or 3500m ³ /h @15kPA	4000m ³ /h @20kPa or 4500m ³ /h @15kPA
Dust connections	6pc Ø100mm	8pc Ø100mm
Maximum duct length (depending on system design)	Approx.100m	Approx.100m



Accessories
Hose reel on stand
Facilitates transport and storage
Cleaning system
Floor and table cleaning vacuum hoses for systems in dimension 50mm



- Key applications**
- Extraction of welding fumes and grinding dust during repairs to boilers, furnaces, and ships.
 - Extraction of GRP dust and resin odours during repair works.
 - Centralised extraction system for construction projects and on-tool extraction.

- Features & Benefits**
- Efficient and effective local control for a range of applications
 - Up to four extraction ducts which can be further split to provide maximum flexibility.
 - ATEX rated for flammable dust types Automatic filter cleaning using integrated compressed air supply
 - Fully enclosed system keeps harmful dusts and waste contained
 - Eliminates manual handling and other associated health and safety issues such as poor air quality
 - Range of tools and nozzles available to attach to flexi hose allowing access to hard to reach areas
 - Waste material feed back to one central location and various waste discharge options are available for easy disposal into skips, bins, onto conveyors, or back in to process – saving time and money

Our products and solutions are found in environments where efficient production, high safety and a clean and safe work environment is valued.

LAJAC

lajac.com



Lajac Head Office

Maskingatan 16, S-702 86
Örebro, Sweden
Tel: +46 (0) 19 32 00 87
Mail: info@lajac.se



Lajac Finland

PL 58, 01601 Vantaa, Finland
Phone+358 (0)400 424 696
www.lajac.fi



Lajac England Birmingham

Contact : Claire Wilkinson
sales@lajac.co.uk
Phone: +44 121 347 6635
www.lajac.co.uk



Lajac France

10 avenue Réaumur
92140 Clamart
+ 33 (0) 805 360 832
www.lajac.fr



Lajac Poland

Contact : Andrzej Toborek
E-mail: andrzej@lajac.se
Phone: +48 723 007 997
www.lajac.pl



Lajac Baltic UAB

Contact : Gintaras Bražas
Phone: +37 616 40106
www.lajac.lt



Lajac Benelux

Contact : André Chaidron
Phone: +32 474 76 99 06
www.lajac.be



WELAfix Industrietechnik GmbH

Germany
Von-Nagel-Strasse 26a
59302 Oelde
+49(0)2522-830052
www.welafix.de