



Unit CE



CE is a high quality plug and play suction unit, with good filter technology.

The suction unit is preferably used for:

- Cleaning in industry and construction
- Central vacuum cleaning
- Extraction of dust and smoke
- Weld fume extraction
- Chip extractor: wood, metal, plastic, etc.

Extraction takes place in two steps:

- Coarse separation by the cyclone
- Fine separation in pleated tapered cartridge filter

Effective automatic filter cleaning by air pulse ensures good suction capacity even at high dust loads. The control cabinet, with starting device, has built-in functions for: start/stop, filter cleaning and terminal strip connection for external start. The unit is equipped with a vacuum valve to ensure cool air to the side channel blower. Cyclone and chassis are made of powder coated steel. Color: RAL 7044

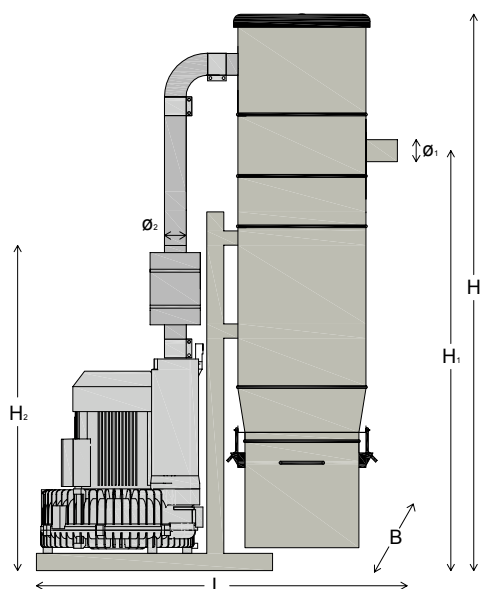
Technical data

	CE-MOB	CE-3	CE-5	CE-13	CE-18	CE-25
Motor capacity (kW)	5,5	3	5,5	13	18,5	25
Max flow open inlet appr. (m ³ /h)	550	312	550	1140	1350	2000
Max negative pressure (kPa)	-26	-25	-26	-30	-30	-30
Filter area (m ²)	7,5	7,5	7,5	10	25	25
Filter material	Pressed polyester					
Filter class BIA	USGC (99,9% filter efficiency)					
Sound level silencer dB(A)	72	68	72	74	76	76
Height mm	1800	1700	1700	1930	2380	2380
Width mm	600	600	600	600	800	970
Length mm	1150	1150	1150	1200	1280	1800
Req.. EI: 3x 380V50Hz w. 0 (A)	20	16	20	50	50	86A
Ø inlet/outlet (mm)	76/80	76/80	76/80	102/100	127/125	152/160
Air pressure	6 l/s 5 bar	6 l/s 5 bar	6 l/s 5 bar	6 l/s 5 bar	6 l/s 5 bar	6 l/s 5 bar
Connect. Ø air pressure (mm)	6	6	6	6	6	6
Container (L)	40	40	40	40	40	40

Optional: static frequency changer with demand control, plastic bag in the container (with associated equalization hose and bottom lining), collection in a plastic bag and HEPA filter for outlet.



Unit CE



	CE-MOB	CE-3	CE-5	CE-13	CE-18	CE-25
L (mm)	1150	1150	1150	1200	1280	1800
B (mm)	600	600	600	600	800	970
H (mm)	1800	1700	1700	1930	2380	2380
H1 (mm)	1350	1250	1250	1485	1930	1940
H2 (mm)	1110	910	1010	1110	1200	2050
Ø1 (mm)	76	76	76	102	127	152
Ø2 (mm)	80	80	80	100	125	160
Weight (kg)	200	160	180	265	365	585

CE-MOB
Mobile unit



CE-3 and CE-5
Stationary unit



CE-13
Stationary unit



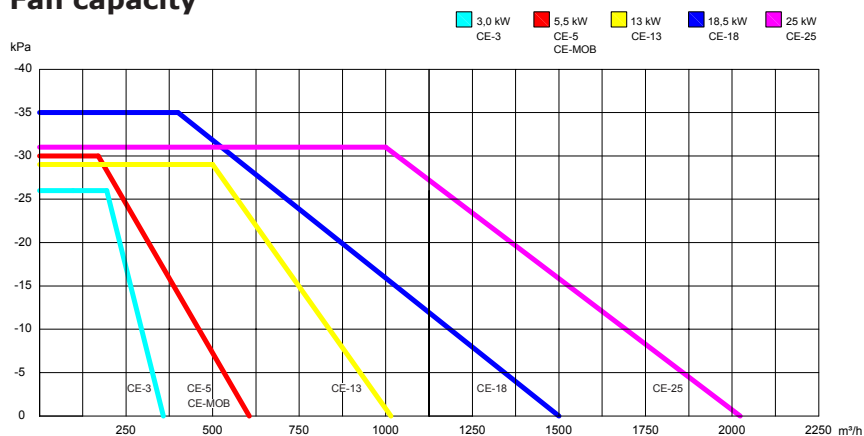
CE-18
Stationary unit



CE-25
Stationary unit



Fan capacity



Dimensioning table

	Conn. Ø (mm)	Airflow (m³/h)
Welding torch	32-38	100
Hand grinding	25	70
Hand grinding	32	120
Hand grinding	38	165
Floor cleaning	32	120
Floor cleaning	38	165
Floor cleaning	50	280