

## High Vacuum Units



## About Lajac

With products and solutions for dust handling, particle transport, local exhaust and industrial vacuum cleaning, Lajac creates a good working environment and high productivity. Delivery reliability and product quality is high priority, as well as communication and collaboration with customers and suppliers. Lajac has since the beginning continuously developed products, while high self-competence has been built up.

Lajac is one of the leading suppliers of systems and products for dust handling. We are represented in Scandinavia, Germany, Poland, Benelux and France. The goal is to grow globally through a wider product range and greater market share where we always put the customer in focus. Products and solutions from Lajac exist in environments where we appreciate the efficient production, high product quality and clean and safe working environment. Our customer are dealers, where products are used primarily by contractors in a wide range of business within various industries: wood, paper, metal, plastic, textile, food, agriculture, pharmaceuticals and chemistry.



For more information visit: [www.lajac.se](http://www.lajac.se)



# Table of contents



## CE-MOB. 5,5 kW

CE is a high quality plug and play suction unit, with good filter technology.

# 4



## CE3/CE-5. 3 kW/5 kW

CE is a high quality plug and play suction unit, with good filter technology.

# 6



## CE-13. 13 kW

CE is a high quality plug and play suction unit, with good filter technology.

# 8



## CE-18. 18 kW

CE is a high quality plug and play suction unit, with good filter technology.

# 10



## SDCH-L

Dust collector SDCH-L is a compressed air cleaned hose filter for continuous filtration of fine dust.

# 12



## SDCC-L

Dust collector type SDCC-L is a compressed air cleaned cartridge filter for continuous filtration of fine dust.

# 14



## SDFH-L

Dust collector SDFH-L is a compressed air cleaned hose filter for continuous filtration of fine dust.

# 16



## SDFC-L

Dust collector type SDFC-L is a compressed air cleaned cartridge filter for continuous filtration of fine dust.

# 18



## SDFB-L

Dust collector SDFB-L is a filter unit with a builtin belt-driven fan, with shaking mechanism for filtration of particles and dust.

# 20



## HB

HB is a directly driven side channel fan used to create high pressure or vacuum.

# 22



## SHPS-L

SHPS-L is a quiet and operationally reliable source for point extraction from stationary and mobile machinery and the central vacuum cleaning of medium-heavy dust.

# 24



## SHPV-L

SHPV-L suction unit is a silent suction source for central vacuum cleaning installations.

# 26



## SMPV-L

SMPV-L suction unit is a silent suction source for local exhaust from stationary tools and central vacuum cleaning of small workshops.

# 28



## TYR

The roots pump TYR is a compact blower for vacuum and pressure. These powerful and reliable robust blowers are contact-free and oil-free.

# 30

# CE-MOB



Shutterstock | Nikkolia

CE is a high quality plug and play suction unit, with good filter technology.

## Description

CE is a high quality plug and play suction unit, with good filter technology.

### The suction unit is preferably used for:

Cleaning in industry and construction, central vacuum cleaning, extraction of dust and smoke, weld fume extraction.

**Suitable for:** wood, metal, plastic etc.

## Extraction takes place in two steps

Coarse separation by the cyclone effect and fine separation in pleated tapered cartridge filter.

Effective automatic filter cleaning by air pulse ensures good suction capacity even at high dust loads. The control cabinet, with starting device, has built-in functions for: start/stop, filter cleaning and terminal strip connection for external start. The unit is equipped with a vacuum valve to ensure cool air to the side channel blower.

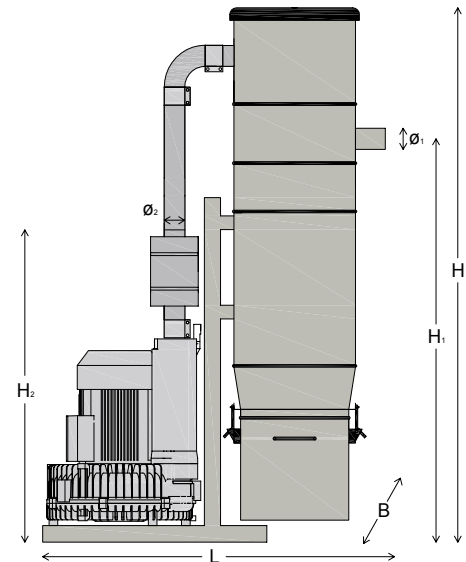
Cyclone and chassis are made of powder coated steel. Color: RAL 7044.

## Dimensions

Model	CE-MOB
L (mm)	1150
B (mm)	600
H (mm)	1800
H1 (mm)	1350
H2 (mm)	1110
Ø1 (mm)	76
Ø2 (mm)	80

## Technical data

Model	CE-MOB
Motor capacity (kW)	5,5
Max flow open inlet appr. (m <sup>3</sup> /h)	550
Max negative pressure (kPa)	-26
Filter area (m <sup>2</sup> )	7,5
Filter material	Pressed polyester
Filter class B1A	USGC (99,9% filter efficiency)
Sound level silencer dB(A)	72
Height (mm)	1800
Width (mm)	600
Length (mm)	1150
Req. El: 3x 380V50Hz w. 0 (A)	16
Ø in- and outlet (mm)	76/80
Air pressure	6 l/s 5 bar
Connect. Ø air pressure (mm)	6
Weight (kg)	200



### As an option, the unit can be equipped with:

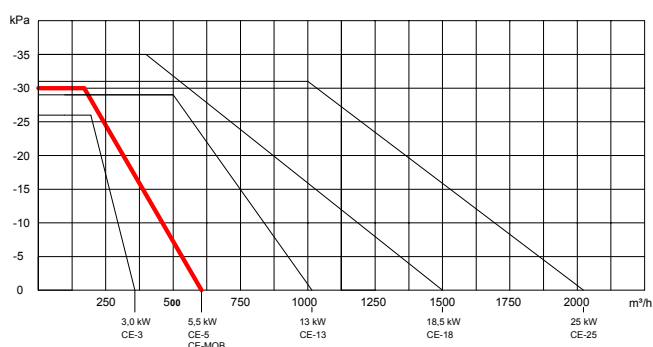
- Frequency control
- Sound enclosure
- HEPA filters on the exhaust side

### Application:

- Industrial vacuuming
- Welding tools/Hand tools
- Grinding dust from construction/industrial environment

## Fan capacity

■ CE-MOB



	Connect. Ø (mm)	Airflow (m <sup>3</sup> /h)
Welding torch	32-38	100
Hand grinding	25	70
Hand grinding	32	120
Hand grinding	38	165
Floor cleaning	32	120
Floor cleaning	38	165
Floor cleaning	50	280

# CE-3/CE-5



CE is a high quality plug and play suction unit, with good filter technology.

**Description**

CE is a high quality plug and play suction unit, with good filter technology.

**The suction unit is preferably used for:**

Cleaning in industry and construction, central vacuum cleaning, extraction of dust and smoke, weld fume extraction.

**Suitable for:** wood, metal, plastic etc.

**Extraction takes place in two steps**

Coarse separation by the cyclone effect and fine separation in pleated tapered cartridge filter.

Effective automatic filter cleaning by air pulse ensures good suction capacity even at high dust loads. The control cabinet, with starting device, has built-in functions for: start/stop, filter cleaning and terminal strip connection for external start. The unit is equipped with a vacuum valve to ensure cool air to the side channel blower.

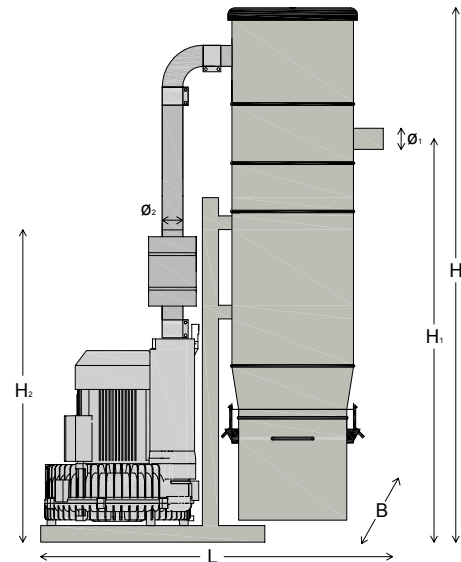
Cyclone and chassis are made of powder coated steel. Color: RAL 7044.

**Dimensions**

Model	CE-3	CE-5
L (mm)	1150	1150
B (mm)	600	600
H (mm)	1700	1700
H1 (mm)	1250	1250
H2 (mm)	910	1010
Ø1 (mm)	76	76
Ø2 (mm)	80	80

**Technical data**

Model	CE-3	CE-5
Motor capacity (kW)	3,0	5,5
Max flow open inlet appr. (m³/h)	312	550
Max negative pressure (kPa)	-25	-26
Filter area (m²)	7,5	7,5
Filter material	Pressed polyester	
Filter class B1A	USGC (99,9% filter efficiency)	
Sound level silencer dB(A)	68	72
Height (mm)	1700	1700
Width (mm)	600	600
Length (mm)	1150	1150
Req. El: 3x 380V50Hz w. 0 (A)	16	16
Ø in- and outlet (mm)	76/80	76/80
Air pressure	6 l/s 5 bar	6 l/s 5 bar
Connect. Ø air pressure (mm)	6	6
Weight (kg)	160	180



**As an option, the unit can be equipped with:**

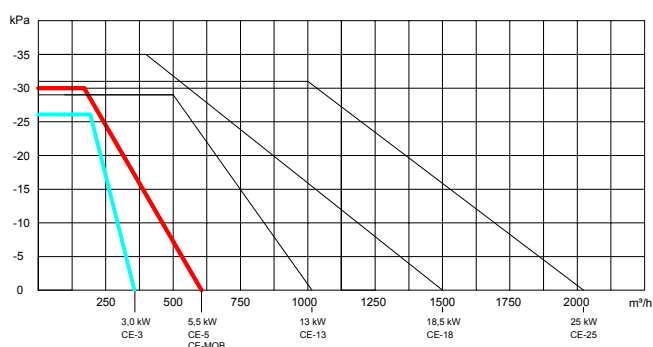
- Frequency control
- Sound enclosure
- HEPA filters on the exhaust side

**Application:**

- Industrial vacuuming
- Welding tools/Hand tools
- Grinding dust from construction/industrial environment

**Fan capacity**

■ CE-3 ■ CE-5



	Connect. Ø (mm)	Airflow (m³/h)
Welding torch	32-38	100
Hand grinding	25	70
Hand grinding	32	120
Hand grinding	38	165
Floor cleaning	32	120
Floor cleaning	38	165
Floor cleaning	50	280

# CE-13



CE is a high quality plug and play suction unit, with good filter technology.



## Description

CE is a high quality plug and play suction unit, with good filter technology.

### The suction unit is preferably used for:

Cleaning in industry and construction, central vacuum cleaning, extraction of dust and smoke, weld fume extraction.

**Suitable for:** wood, metal, plastic etc.

## Extraction takes place in two steps

Coarse separation by the cyclone effect and fine separation in pleated tapered cartridge filter.

Effective automatic filter cleaning by air pulse ensures good suction capacity even at high dust loads. The control cabinet, with starting device, has built-in functions for: start/stop, filter cleaning and terminal strip connection for external start. The unit is equipped with a vacuum valve to ensure cool air to the side channel blower.

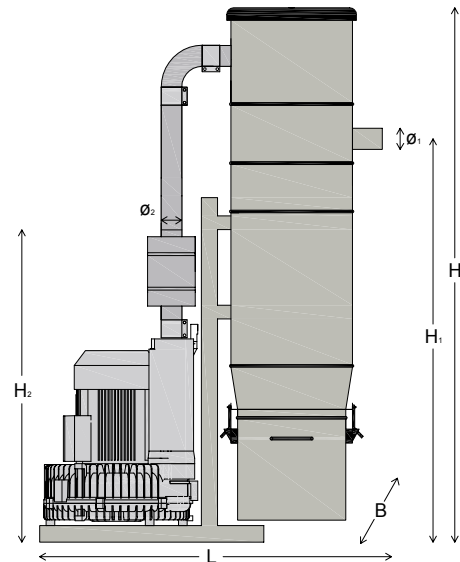
Cyclone and chassis are made of powder coated steel. Color: RAL 7044.

## Dimensions

Model	CE-13
L (mm)	1200
B (mm)	600
H (mm)	1930
H1 (mm)	1485
H2 (mm)	1110
Ø1 (mm)	102
Ø2 (mm)	100

## Technical data

Model	CE-13
Motor capacity (kW)	13
Max flow open inlet appr. (m <sup>3</sup> /h)	1140
Max negative pressure (kPa)	-30
Filter area (m <sup>2</sup> )	10
Filter material	Pressed polyester
Filter class B1A	USGC (99,9% filter efficiency)
Sound level silencer dB(A)	74
Height (mm)	1930
Width (mm)	600
Length (mm)	1200
Req. El: 3x 380V50Hz w. 0 (A)	35
Ø in- and outlet (mm)	102/100
Air pressure	6 l/s 5 bar
Connect. Ø air pressure (mm)	6
Weight (kg)	265



### As an option, the unit can be equipped with:

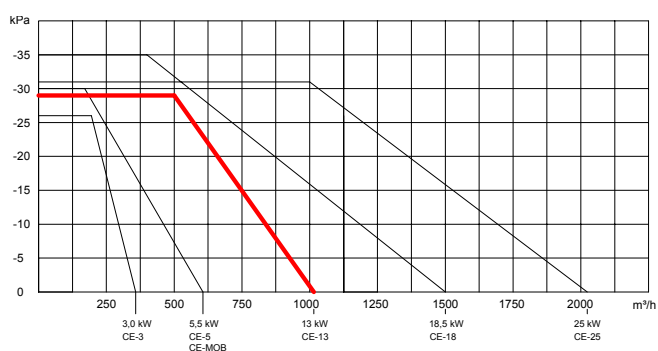
- Frequency control
- Sound enclosure
- HEPA filters on the exhaust side

### Application:

- Industrial vacuuming
- Welding tools/Hand tools
- Grinding dust from construction/industrial environment

## Fan capacity

■ CE-13



	Connect. Ø (mm)	Airflow (m <sup>3</sup> /h)
Welding torch	32-38	100
Hand grinding	25	70
Hand grinding	32	120
Hand grinding	38	165
Floor cleaning	32	120
Floor cleaning	38	165
Floor cleaning	50	280

CE-18

Shutterstock | Prophan Jampala



CE is a high quality plug and play suction unit, with good filter technology.

## Description

CE is a high quality plug and play suction unit, with good filter technology.

### The suction unit is preferably used for:

Cleaning in industry and construction, central vacuum cleaning, extraction of dust and smoke, weld fume extraction.

**Suitable for:** wood, metal, plastic etc.

## Extraction takes place in two steps

Coarse separation by the cyclone effect and fine separation in pleated tapered cartridge filter.

Effective automatic filter cleaning by air pulse ensures good suction capacity even at high dust loads. The control cabinet, with starting device, has built-in functions for: start/stop, filter cleaning and terminal strip connection for external start. The unit is equipped with a vacuum valve to ensure cool air to the side channel blower.

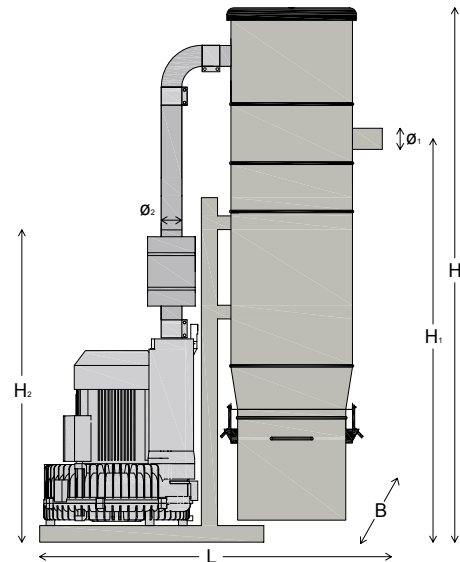
Cyclone and chassis are made of powder coated steel. Color: RAL 7044.

## Dimensions

Model	CE-18
L (mm)	1280
B (mm)	800
H (mm)	2280
H1 (mm)	1930
H2 (mm)	1200
Ø1 (mm)	127
Ø2 (mm)	125

## Technical data

Model	CE-18
Motor capacity (kW)	18,5
Max flow open inlet appr. (m <sup>3</sup> /h)	1350
Max negative pressure (kPa)	-30
Filter area (m <sup>2</sup> )	25
Filter material	Pressed polyester
Filter class B1A	USGC (99,9% filter efficiency)
Sound level silencer dB(A)	76
Height (mm)	2280
Width (mm)	800
Length (mm)	1280
Req. El: 3x 380V50Hz w. 0 (A)	50
Ø in- and outlet (mm)	127/125
Air pressure	6 l/s 5 bar
Connect. Ø air pressure (mm)	6
Weight (kg)	365



### As an option, the unit can be equipped with:

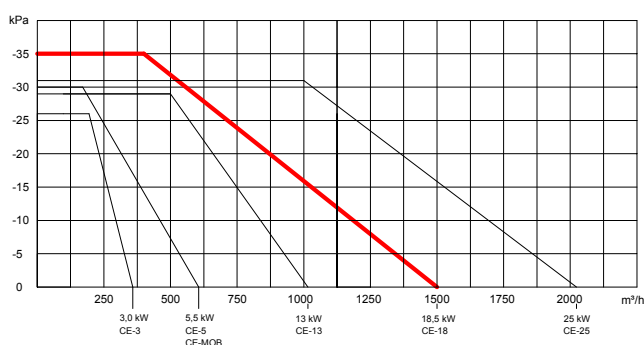
- Frequency control
- Sound enclosure
- HEPA filters on the exhaust side

### Application:

- Industrial vacuuming
- Welding tools/Hand tools
- Grinding dust from construction/industrial environment

## Fan capacity

■ CE-18



	Connect. Ø (mm)	Airflow (m <sup>3</sup> /h)
Welding torch	32-38	100
Hand grinding	25	70
Hand grinding	32	120
Hand grinding	38	165
Floor cleaning	32	120
Floor cleaning	38	165
Floor cleaning	50	280

# Dust collector SDCH-L

Shuterstock | Dmitry Kalinovsky



Dust collector SDCH-L is a compressed air cleaned hose filter for continuous filtration of fine dust.

## Description

Dust collector SDCH-L is a compressed air cleaned hose filter for continuous filtration of fine dust. The collector is supposed to be used for under pressure, i.e. the fan is installed after the collector. The circular gas inlet and outlet, can be swiveled to an optional position as the filter consists of several reciprocally adjustable parts.

The separator is designed as an under pressure filter and can be located indoors or outdoors, if it is placed with protection from the weather.

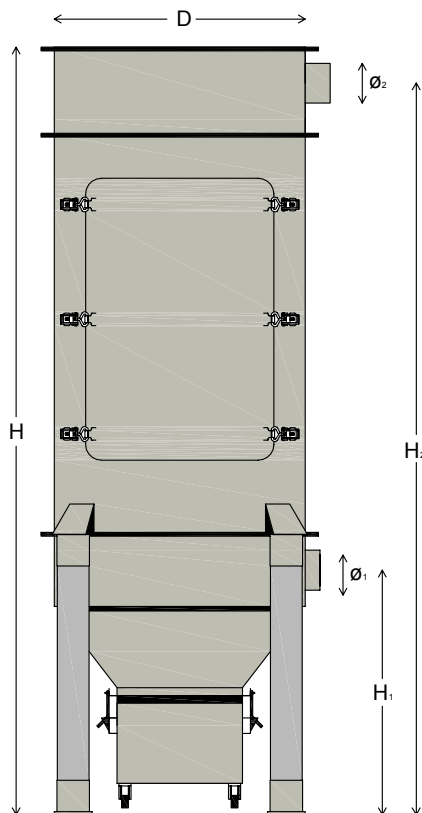
## Filter cleaning

The dust laden air is filtered through a filter hose, where the dust

sticks to the outside. The filter hoses are cleaned with short bursts of compressed air. Cleaning of the hoses is done through a separate steering central or by cleaning automatics e.g. MT (extra equipment). For the most effective cleaning, the hoses should also be cleaned when the fan is turned off.

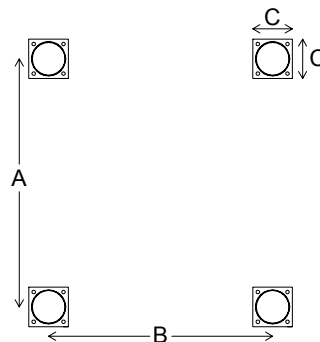
## Dust container

The dust is collected in a dust container, equipped with a plastic bag. The amount of dust should regularly be controlled and the plastic bag replaced if needed. The container can also, as an optional device, be equipped with a level sensor with an alarm protection against overfilling.



## Dimensions

	SDCH-3-L	SDCH-5-L	SDCH-7-L	SDCH-9-L	SDCH-12-L
D (mm)	630	800	800	1100	1100
H (mm)	2500	2500	3000	2500	3000
H1 (mm)	937	937	937	937	937
H2 (mm)	2317	2317	2817	2317	2817
$\varnothing 1$ inL. (mm)	127	200	200	250	250
$\varnothing 2$ utl. (mm)	127	200	200	250	250
A (mm)	665	715	715	730	730
B (mm)	470	715	715	730	730
C (mm)	120	120	120	120	120



## Technical data

Model	SDCH-3-L	SDCH-5-L	SDCH-7-L	SDCH-9-L	SDCH-12-L
Filter (m <sup>2</sup> )	3	5	7	9	12
No. of hoses	6	10	10	18	18
No. of valves	2	2	2	4	4
Container (l)	90	90	90	90	90
Weight (kg)	110	160	180	185	205

## Compressed air requirement:

max 2 l/s, 4,5 bar, free of oil and water. Maximum gas temperature: +60° C.

The following service spaces need to be considered: minimum 800 mm in front of the filter and 500 mm above the filter.

# Dust collector SDCC-L

Shutterstock | Praphan Jampala



Dust collector type SDCC-L is a compressed air cleaned cartridge filter for continuous filtration of fine dust.

## Description

Dust collector type SDCC-L is a compressed air cleaned cartridge filter for continuous filtration of fine dust. The collector is not suitable for filtration of voluminous dust such as from wood, paper and textile. The circular gas inlet and outlet, can be swiveled to an optional position as the filter consists of several reciprocally adjustable parts. The separator is designed as an under pressure filter and can be located indoors or outdoors, if it is placed with protection from the weather.

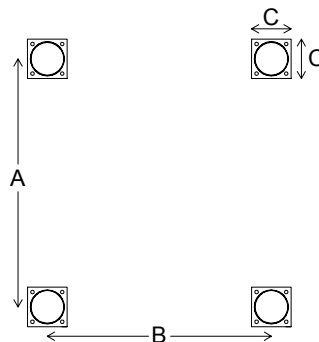
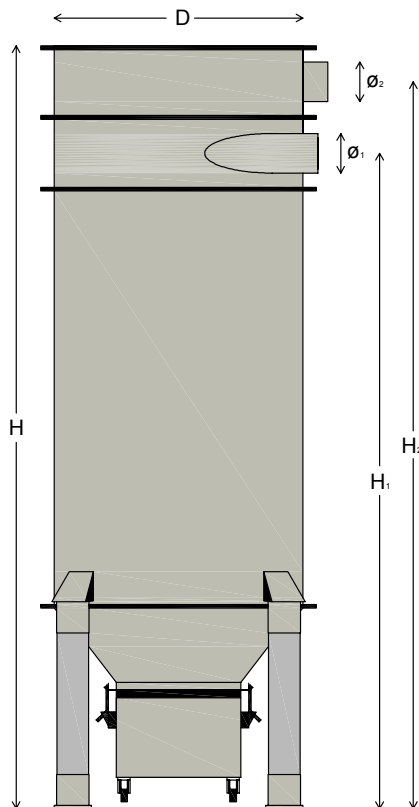
## Filter cleaning

The dust laden air is filtered through filter cartridges, where the dust

sticks to the outside. The filter cartridges are cleaned with short bursts of compressed air. Cleaning of the cartridges is done through a separate steering central or by cleaning automatics e.g. MT (extra equipment). For the most effective cleaning, the cartridges should also be cleaned when the fan is turned off.

## Dust container

The dust is collected in a dust container, equipped with a plastic bag. The amount of dust should regularly be controlled and the plastic bag replaced if needed. The container can also, as an optional device, be equipped with a level sensor with an alarm protection against overfilling.



## Dimensions

Model	SDCC-7,5-L	SDCC-11-L	SDCC-25-L	SDCC-40-L
D (mm)	450	630	800	1100
H (mm)	1700	2400	2400	2700
H1 (mm)	1225	1980	1980	2150
H2 (mm)	1470	2260	2260	2550
$\varnothing 1$ inl. (mm)	102	200	200	250
$\varnothing 2$ utl. (mm)	102	200	200	250
A (mm)	485	665	715	730
B (mm)	485	470	715	730
C (mm)	120	120	120	120

## Technical data

Model	SDCC-7,5-L	SDCC-11-L	SDCC-25-L	SDCC-40-L
Filter (m <sup>2</sup> )	7,5	10,5	25	40
No. of cartridges	1	1	1	4
No. of valves	1	1	1	4
Container (l)	90	90	90	90
Weight (kg)	65	110	180	220

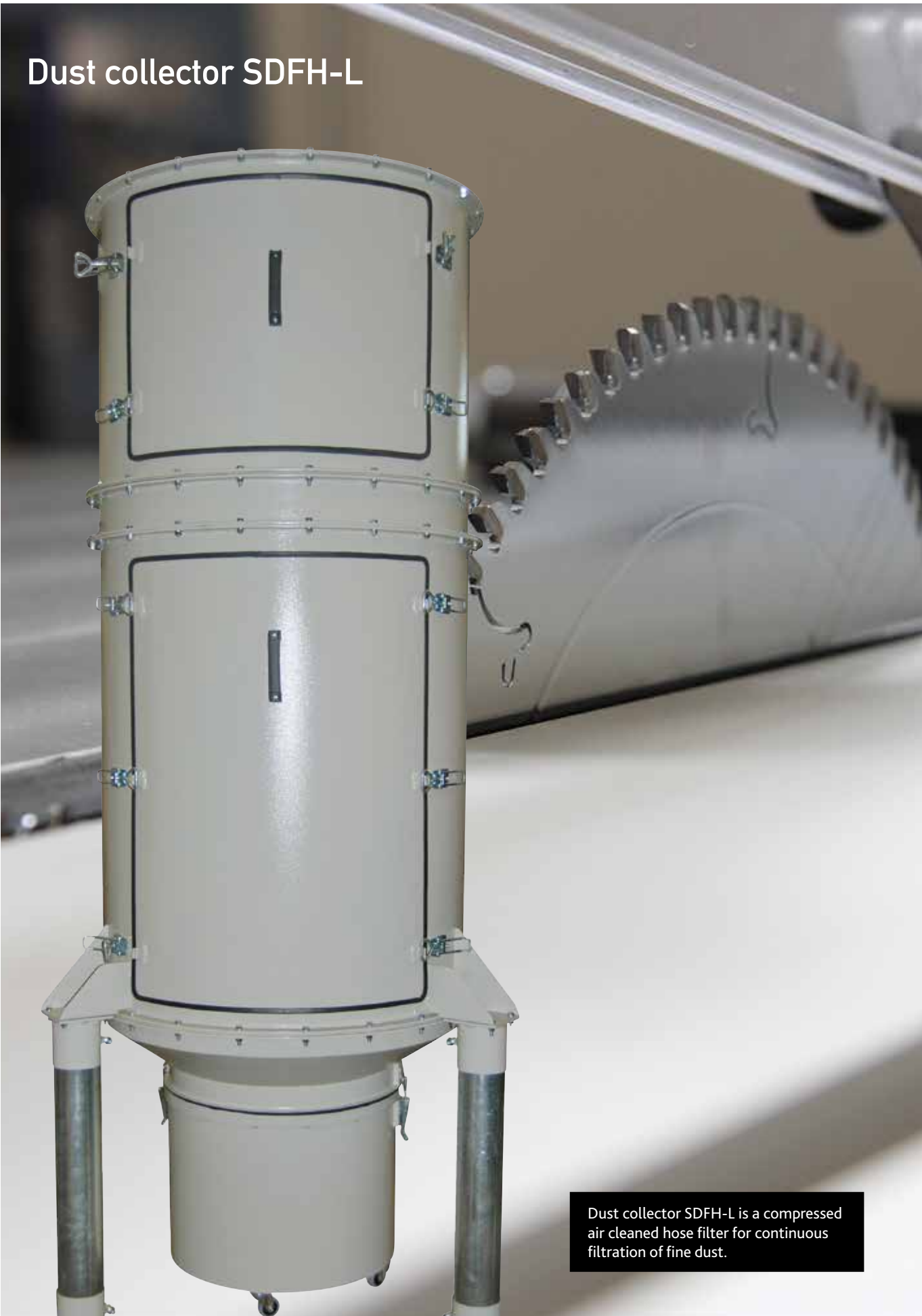
## Compressed air requirement:

max 2 l/s, 4,5 bar, free of oil and water. Maximum gas temperature: +60° C.

The following service spaces need to be considered: minimum 800 mm in front of the filter and 500 mm above the filter.

# Dust collector SDFH-L

Shutterstock | Mike Zaharov



Dust collector SDFH-L is a compressed air cleaned hose filter for continuous filtration of fine dust.



**Description**

Dust collector SDFH-L is a compressed air cleaned hose filter for continuous filtration of fine dust. The filter has an airflow capacity of up to 1500 m<sup>3</sup>/h. The circular gas inlet and outlet, can be swiveled to an optional position as the filter consists of several reciprocally adjustable parts. The separator is designed as an under pressure filter and can be located indoors or outdoors, if it is placed with protection from the weather.

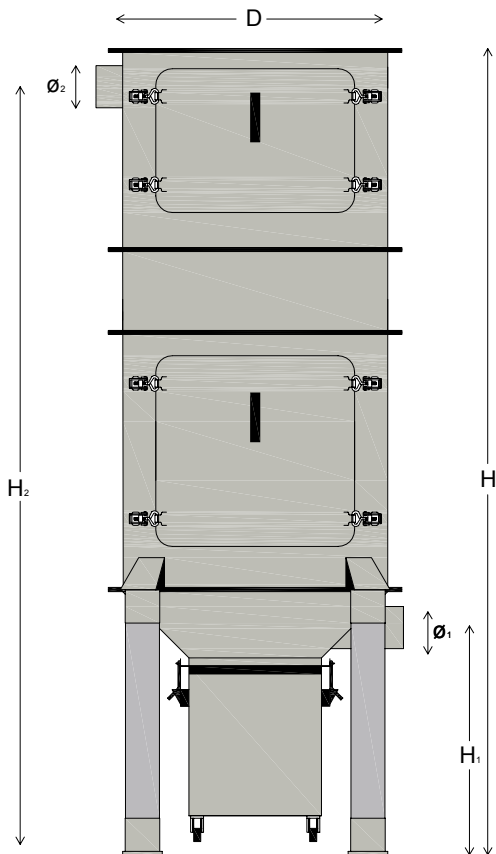
**Filter cleaning**

The dust laden air is filtered through a filter hose, where the dust

sticks to the outside. The filter hoses are cleaned with short bursts of compressed air. Cleaning of the hoses is done through a separate steering central or by cleaning automatics e.g. MT (extra equipment). For the most effective cleaning, the hoses should also be cleaned when the fan is turned off.

**Dust container**

The dust is collected in a dust container, equipped with a plastic bag. The amount of dust should regularly be controlled and the plastic bag replaced if needed. The container can also, as an optional device, be equipped with a level sensor with an alarm protection against overfilling.

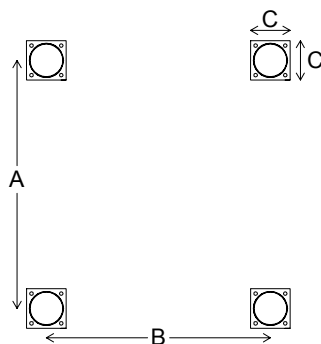


**Dimensions**

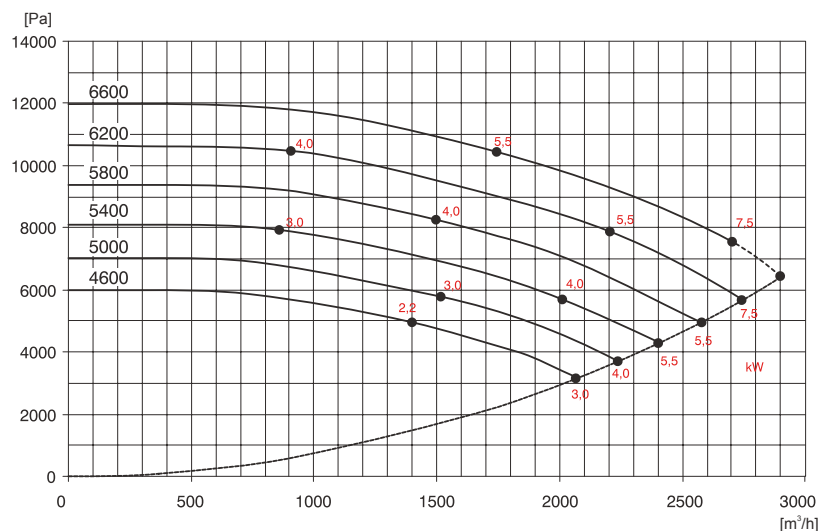
Model	SDFH-L
D (mm)	800
H (mm)	3000
H1 (mm)	937
H2 (mm)	2387
Ø1 inl. (mm)	127
Ø2 utl. (mm)	160
A (mm)	715
B (mm)	470
C (mm)	120

**Technical data**

Model	SDFH-L
Filter (m <sup>2</sup> )	3
No. of hoses	6
No. of valves	2
Motor effect (kW)	4
Container (l)	90
Weight (kg)	250



**Capacity diagram**



**Compressed air requirement:**

max 2 l/s, 4,5 bar, free of oil and water. Maximum gas temperature: +60° C.

The following service spaces need to be considered: minimum 800 mm in front of the filter and 500 mm above the filter.

# Dust collector SDFC-L

Shutterstock | Mike Zaharov



Dust collector type SDFC-L is a compressed air cleaned cartridge filter for continuous filtration of fine dust.

## Description

Dust collector type SDFC-L is a compressed air cleaned cartridge filter for continuous filtration of fine dust. The filter has a built in fan with a capacity of up to 1500 m<sup>3</sup>/h air. The circular gas inlet and outlet, can be swiveled to an optional position as the filter consists of several reciprocally adjustable parts. The separator can be located indoors or outdoors, if it is placed with protection from the weather.

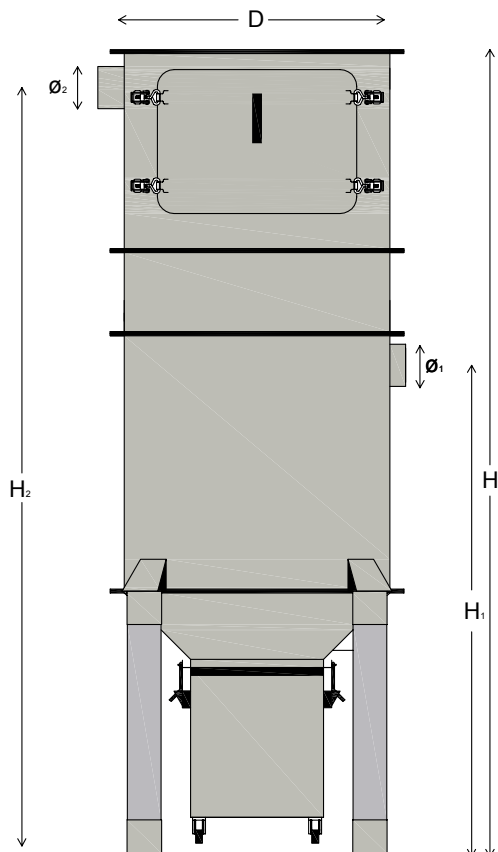
## Filter cleaning

The dust laden air is filtered through a filter cartridge, where the dust sticks to the outside. The filter cartridges are cleaned with short

bursts of compressed air. Cleaning of the cartridges is done through a separate steering central or by cleaning automatics e.g. MT (extra equipment). For the most effective cleaning, the cartridges should also be cleaned when the fan is turned off.

## Dust container

The dust is collected in a dust container, equipped with a plastic bag. The amount of dust should regularly be controlled and the plastic bag replaced if needed. The container can also, as an optional device, be equipped with a level sensor with an alarm protection against overflowing.

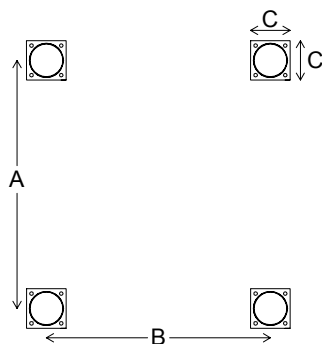


## Dimensions

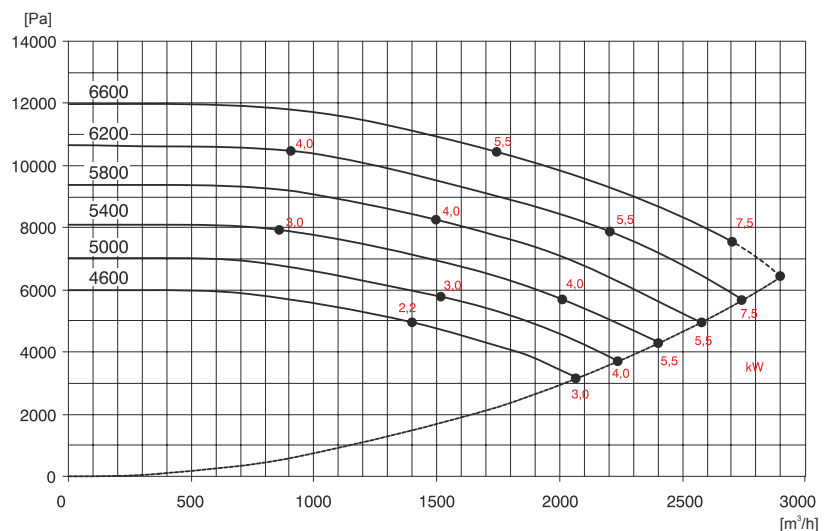
Model	SDFC-L
D (mm)	800
H (mm)	3000
H1 (mm)	1730
H2 (mm)	2587
Ø1 inl. (mm)	127
Ø2 utl. (mm)	160
A (mm)	715
B (mm)	715
C (mm)	120

## Technical data

Model	SDFC-L
Filter (m <sup>2</sup> )	10,5
No. of cartridges	1
No. of valves	1
Motor effect (kW)	4
Container (l)	90
Weight (kg)	250



## Capacity diagram



## Compressed air requirement:

max 2 l/s, 4,5 bar, free of oil and water. Maximum gas temperature: +60° C.

The following service spaces need to be considered: minimum 800 mm in front of the filter and 500 mm above the filter.

# Dust collector SDFB-L



Dust collector SDFB-L is a filter unit with a built-in belt-driven fan, with shaking mechanism for filtration of particles and dust.

## Description

Dust collector SDFB-L is a filter unit with a builtin belt-driven fan, with shaking mechanism for filtration of particles and dust. The separator is particularly suitable for separation of wood chips, etc. and is often used in workshops. The fan has a capacity of up to about 1500 m<sup>3</sup>/h air with a sustained pressure rise and is suitable for local exhaust ventilation and easier cleaning.

Cleaning of the filter is done, depending on model, manually by shaking, pneumatically or automatically with a shaking electric motor.

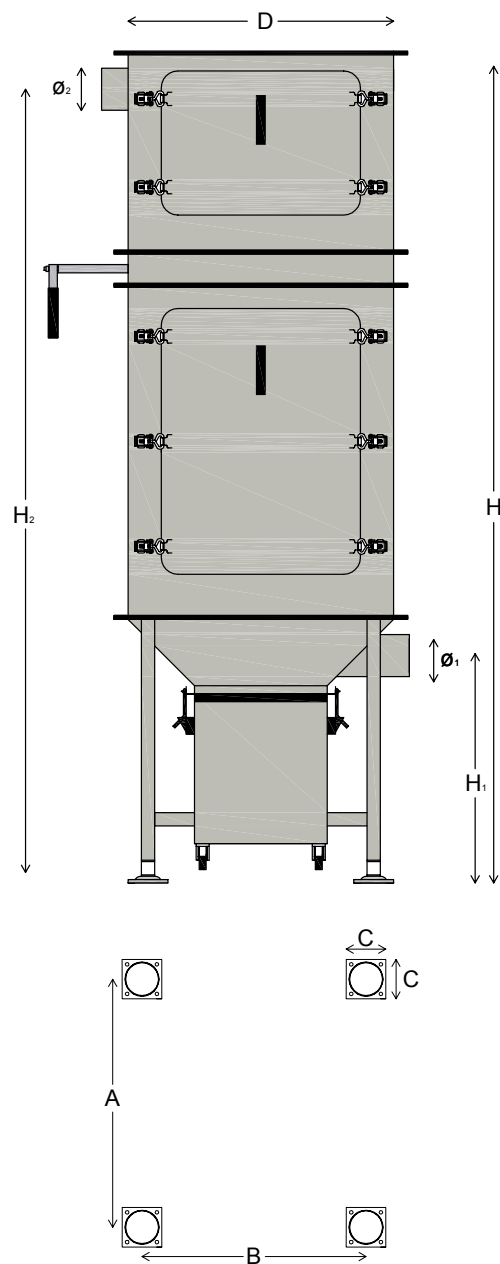
Since the separator consists of several parts which are spliced together with flanges, the inspections doors and outlet can be rotated 360 degrees to arrange the parts in desired position.

## Filter cleaning

The dust laden air is filtered when the dust sticks to the inside of the filter bag. The filter bag is cleared by the use of a lever on the outside (SDFB-1-L) or automatically by pneumatics or electricity (SDFB-2-L and SDFB-3-L). For most effective cleaning the fan should be turned off when cleaning the filter.

## Dust container

The dust is collected in a dust container, equipped with a plastic bag. The amount of dust should regularly be controlled and the plastic bag replaced if needed. The container can also, as an optional device, be equipped with a level sensor with an alarm protection against overfilling.



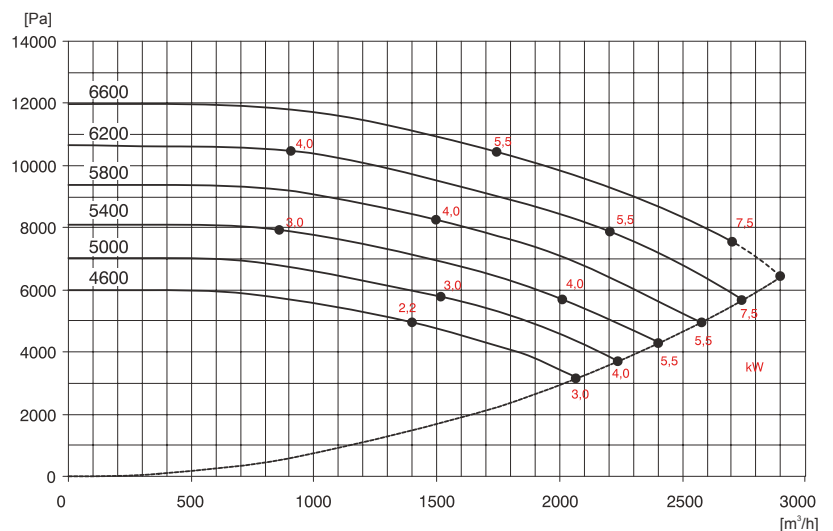
## Dimensions

Model	SDFB-L
D (mm)	800
H (mm)	2400
H1 (mm)	937
H2 (mm)	2287
Ø1 inl. (mm)	127
Ø2 utl. (mm)	160
A (mm)	715
B (mm)	715
C (mm)	120

## Technical data

Model	SDFB-L
Filter (m <sup>2</sup> )	9
No. of filters	1
Motor effect (kW)	4
Container (l)	90
Weight (kg)	250

## Capacity diagram



## Compressed air requirement SDFB-2-L:

max 2 l/s, 4,5 bar, free of oil and water. Maximum gas temperature: +60° C.

The following service spaces need to be considered: minimum 800 mm in front of the filter and 500 mm above the filter.

# Side channel blower HB



HB is a directly driven side channel fan used to create high pressure or vacuum.

### Description

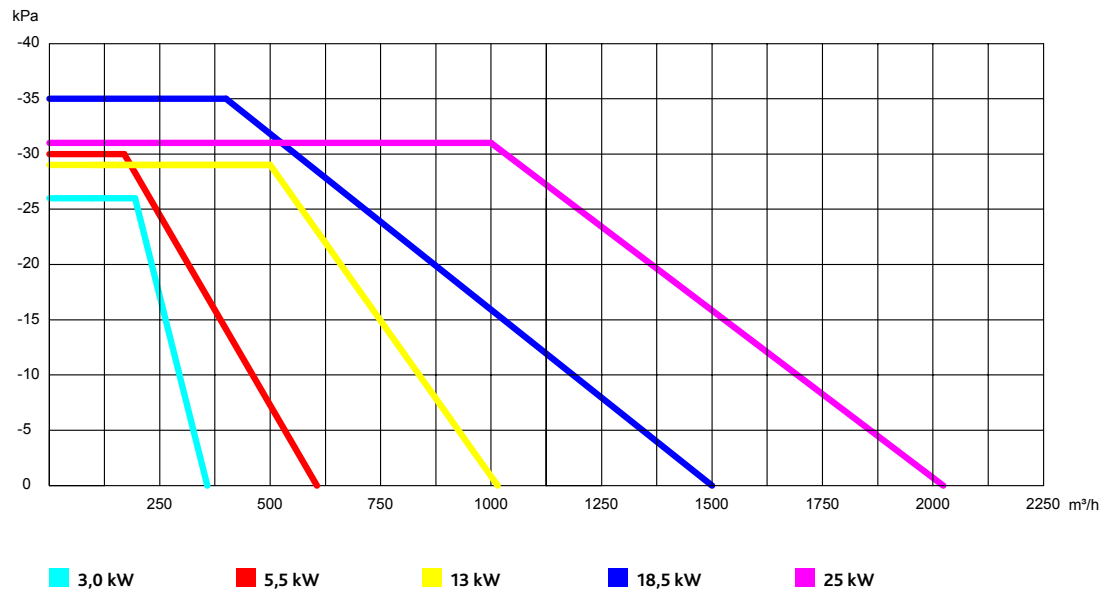
HB is a directly driven side channel fan used to create high pressure or vacuum (<35kPa). Excellent as a suction unit placed after a dust collector for high vacuum so as stationary vacuum cleaning systems and exhaust from the nozzles to the welding and grinding operations. Fan housing, impeller and motor housing are made of cast aluminium. Side channel blowers are used solely for dust-free air and non-explosive or non-aggressive gases. Inlet and outlet side is equipped with silencers. 400/690V 50/60Hz

### Technical data

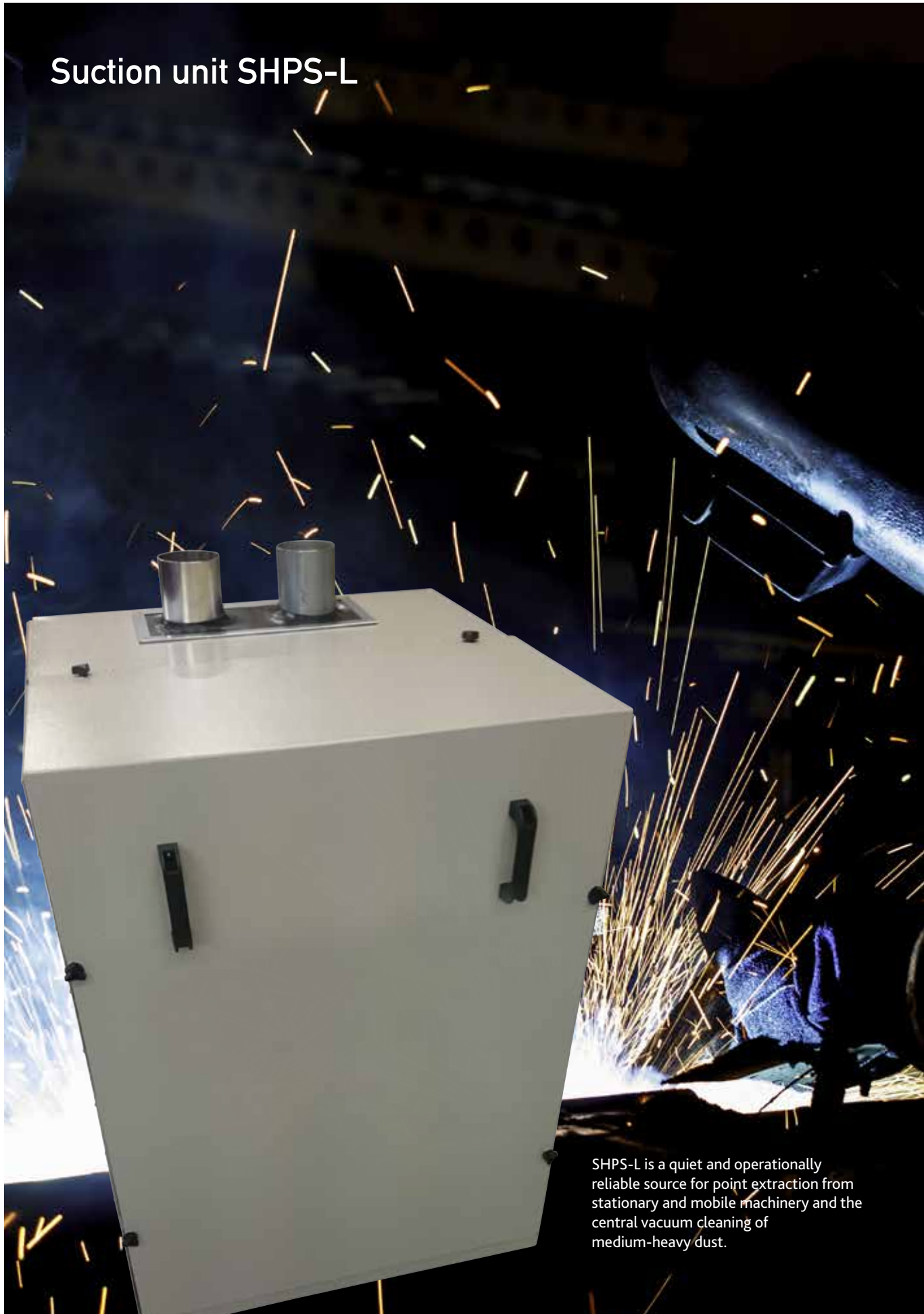
Model	Motor effect kW
HB-400	4-4,6
HB-550	5,5-6,3
HB-750	7,5-8,6
HB-850	8,5-9,8
HB-1100	11,0-12,6
HB-1250	12,5-14,5
HB-1850	18,5-21,3
HB-2500	25,0-29,0



### Fan capacity



# Suction unit SHPS-L



SHPS-L is a quiet and operationally reliable source for point extraction from stationary and mobile machinery and the central vacuum cleaning of medium-heavy dust.

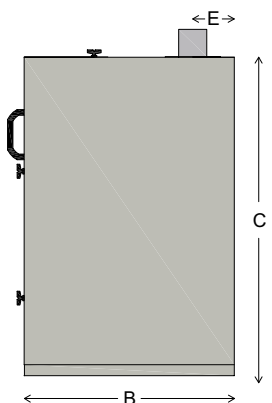
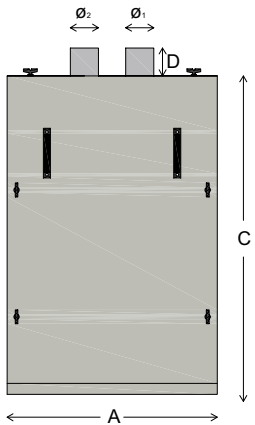
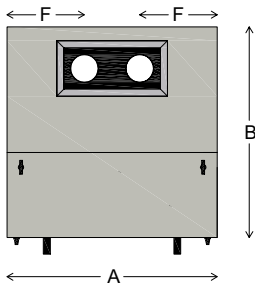


**Description**

SHPS-L is a quiet and operationally reliable source for point extraction from stationary and mobile machinery and the central vacuum cleaning of medium-heavy dust. SHPS-L has an Air flow of 300-700 m<sup>3</sup>/h and a vacuum of approximately 20.000-28.000 Pa, depending of model.

A direct driven side channel fan is built into a soundproof cabinet of powder coated steel, in color RAL 7044.

The cabinet is equipped with a large service hatch. The fan is mounted on a stand with vibration absorber. A dust collector must be installed before suction unit SHPS-L. Suitable dust collectors are SDCH-L or SDCC-L. The suction unit may not be used for extraction of explosive gases or liquids. It is designed for continuous operation and can be placed indoors or outdoors, if it is placed with protection from the weather.



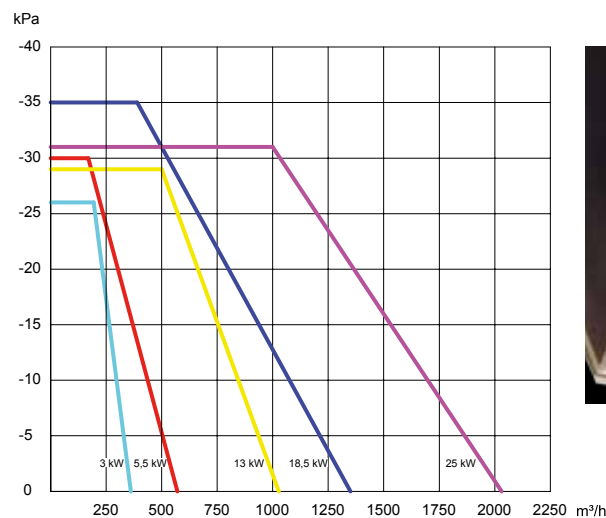
**Dimensions**

Model	SHPS-30-L	SHPS-55-L	SHPS-130-L	SHPS-180-L	SHPS-250-L
A (mm)	760	760	760	760	1200
B (mm)	760	760	760	760	1200
C (mm)	1150	1150	1150	1150	1600
D (mm)	100	100	100	100	100
E (mm)	150	150	150	150	150
F (mm)	280	280	280	280	280
Ø1 inl. (mm)	76	76	102	102	127
Ø2 outl. (mm)	76	76	102	102	127

**Technical data**

Model	SHPS-30-L	SHPS-55-L	SHPS-130-L	SHPS-180-L	SHPS-250-L
Motor effect (kW)	3	5,5	12,5	18,5	25
Air flow (m <sup>3</sup> /h)	240	300	650	800	1350
Weight (kg)	150	170	220	240	390

**Fan capacity**



■ 3,0 kW    ■ 5,5 kW    ■ 13 kW    ■ 18,5 kW    ■ 25 kW



# Suction unit SHPV-L

SHPV-L suction unit is a silent suction source for central vacuum cleaning installations and extraction of welding torches, handheld machines etc.

Sturteck | Nikkolia



## Description

SHPV-L suction unit is a silent suction source for central vacuum cleaning installations and extraction of welding torches, handheld machines etc. The airflow of the unit is 1000-3000 m<sup>3</sup>/h depending on the model. Maximum vacuum is 20.000 Pa. SHPV-L has centrifugal two-stage fan with belt drive and the electrical motor integrated in a sound insulated cabinet. The cabinet is equipped with a large service hatch.

The fan is mounted on a stand with silencers and is protected with

a belt guard. Inlets and outlets are fitted with flexible connections. The engine is cooled because the casing is fitted with inlet and outlet openings for cooling air, which can be connected to the ducting if required.

Dust collector must always be placed before the suction unit SHPV-L. Appropriate dust collectors are SDCH-L or SDCC-L. The suction unit may not be used for extraction of explosive gases or liquids. It is designed for continuous operation and can be placed indoors or outdoors, if it is placed with protection from the weather.

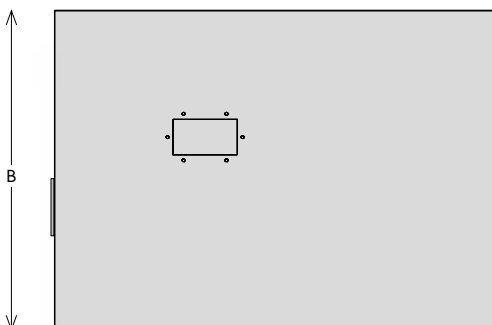
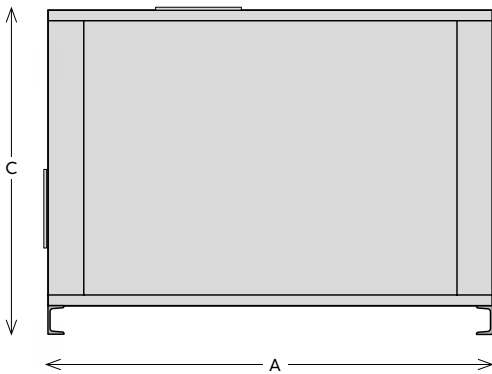
## Dimensions

Model	SHPV-150-L	SHPV-185-L	SHPV-220-L	SHPV-370-L
A (mm)	1100	1250	1250	1500
B (mm)	800	900	900	1100
C (mm)	795	910	910	980
Ø1 inl. (mm)	160	200	200	250
Ø2 outl. (mm)	250	250	250	315

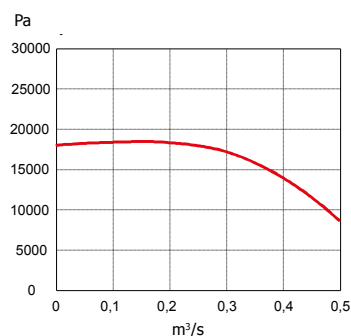
\*Measured at 1 meter from the fan with ducted inlet and outlet

## Technical data

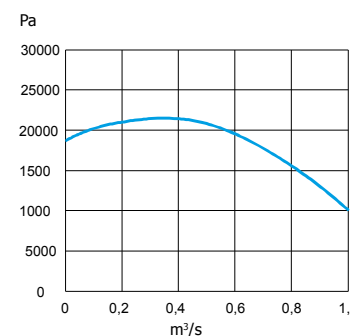
Model	SHPV-150-L	SHPV-185-L	SHPV-220-L	SHPV-370-L
Motor effect (kW)	15	18,5	22	37
Speed (r/m)	5860	4972	5269	4405
Air flow (m <sup>3</sup> /h)	1000	1700	2000	3500
Sound level (dB) (A)	72	72	78	78
Weight (kg)	360	460	515	650



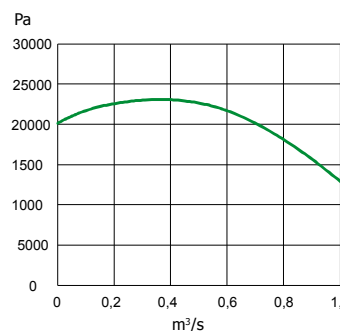
## Fan capacity



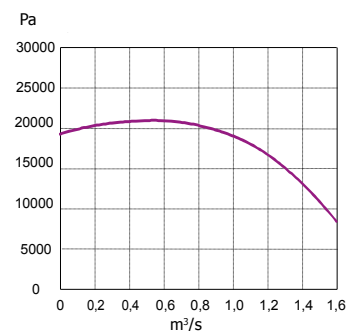
■ SHPV-150-L



■ SHPV-185-L



■ SHPV-220-L



■ SHPV-370-L

# Suction unit SMPV-L



SMPV-L suction unit is a silent suction source for local exhaust from stationary tools and central vacuum cleaning of small workshops.

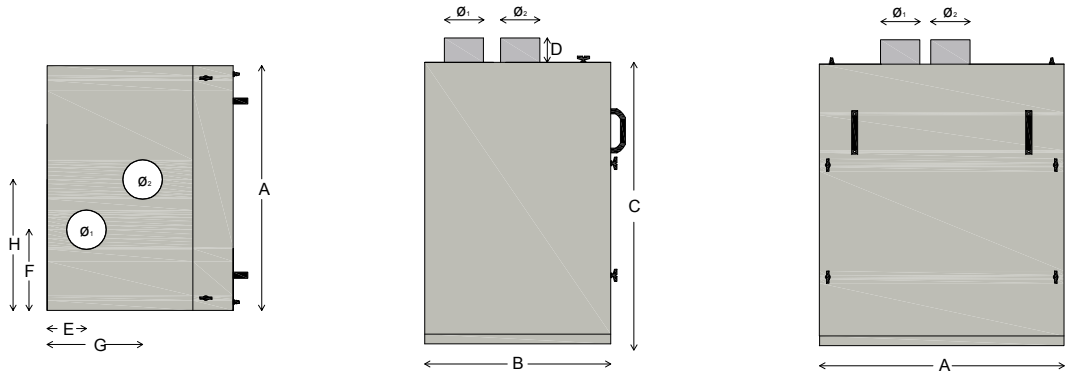
**Description**

SMPV-L suction unit is a silent suction source for local exhaust from stationary tools and central vacuum cleaning of small workshops. SMPV-L has a belt driven centrifugal high pressure fan and an electrical motor integrated in a sound insulated cabinet of powder coated steel, in color RAL 7044.

The cabinet is equipped with a large inspection door. The fan is mounted on a stand with vibration isolators and provided with

belt guard. Inlet and outlet are fitted with flexible connections. The casing is fitted with inlet and outlet openings for cooling air, which cools down the engine. Dust collector must always be placed before the suction unit SMPV-L. Appropriate dust collectors are SDCH-L or SDCC-L.

The suction unit may not be used for the extraction of explosive gases or liquids. It is designed for continuous operation and can be placed indoors or outdoors, if it is placed with protection from the weather.



**Dimensions**

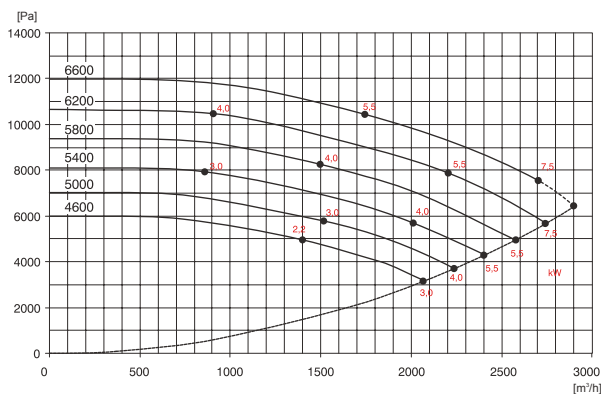
Model	SMPV-40-L	SMPV-55-L	SMPV-110-L	SMPV-150-L
A (mm)	1000	1000	1000	1000
B (mm)	750	750	750	750
C (mm)	1000	1000	1000	1000
D (mm)	70	70	70	70
E (mm)	160	160	130	130
F (mm)	330	330	290	290
G (mm)	390	390	395	395
H (mm)	535	535	525	525
Ø 1 inl. (mm)	160	160	160	160
Ø 2 outl. (mm)	160	160	160	160

**Technical data**

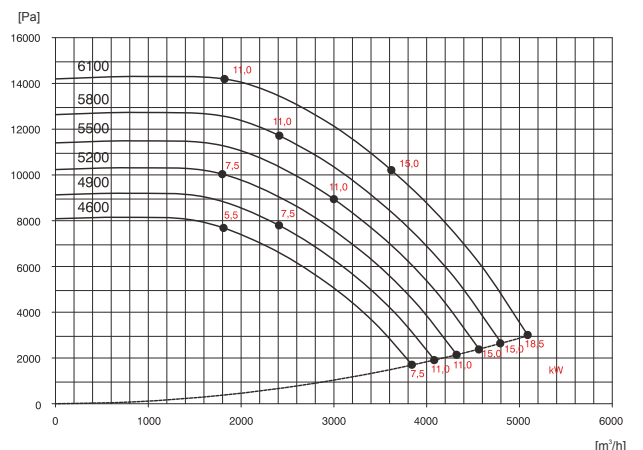
Model	SMPV-40-L	SMPV-55-L	SMPV-110-L	SMPV-150-L
Motor effect (kW)	4	5,5	11	15
Speed (r/m)	5200	5800	5200	5800
Air flow (m³/h)	1500	2000	3000	3500
Weight (kg)	170	185	250	265



**Fan capacity SMPV-40-L and SMPV-55-L**



**Fan capacity SMPV-110-L and SMPV-150-L**



# Roots pump TYR

The roots pump TYR is a compact blower for vacuum and pressure. These powerful and reliable robust blowers are contact-free and oil-free.



The roots pump TYR is a compact blower for vacuum and pressure. These powerful and reliable robust blowers are contact-free and oil-free. Piston seals ensure a long service life. TYR has automatic belt tension.

Because of non-contact performance, no operating fluids are necessary. TYR has a simple monitoring of the filter, operating pressure and oil level shown via displays directly on the blower or the acoustic enclosure. Maintenance is limited to changing oil in

the gear unit, lubricating the bearings, and changing filters.

TYR Roots pump works extremely energy-efficiently thanks to three factors: the use of energy-saving motors (EFF1), the choice of motor sizes depending on needs, and the high efficiency of the blower stage.

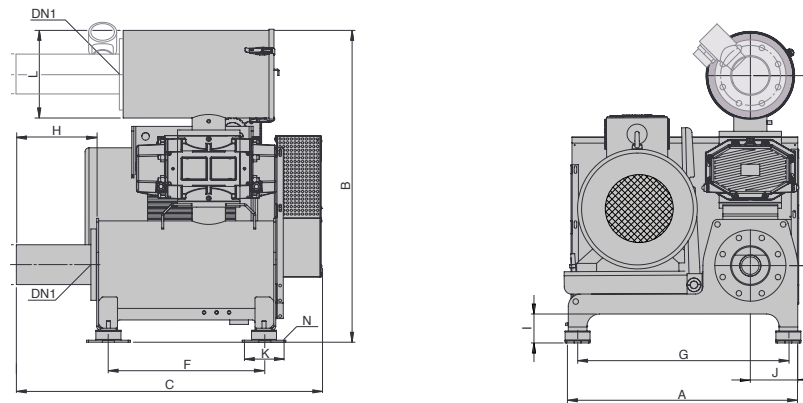
Installation options with or without acoustic enclosure. Six sizes are available, featuring motor outputs that can be set exactly to the demand.

**Technical data**

Model	Air flow m <sup>3</sup> /min	Motor effect kW
WT-0100	2,5-10,0	0,75-22
WT-0150	3,7-15,0	1,1-37
WT-0280	5,1-28,0	1,5-55
WT-0390	7,1-39,0	2,2-75
WT-0600	12,0-64,0	4,0-90,0

**Properties:**

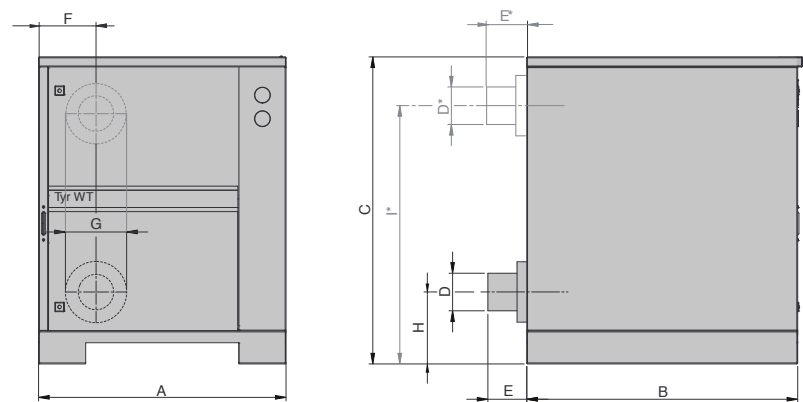
- reliable
- economic
- service-friendly
- application-oriented
- Air flow: 150-4380 m<sup>3</sup>/h
- Vacuum operation: 500 hPa (mbar)
- Pressure operation: 1000 hPa (mbar)



**Dimensions**

Blower dimensions/mm	A	B	C	D	E	F	G	H	I	J	K*	L Ø	M Ø	N Ø	DN1
TYR WT 0100/0150 AV/AP	715	1028	1080	289	609	550	640	320	114	140	110	250	114	14	100
TYR WT 0280/0390 AV/AP	945	1251	1218	310	761	622	845	321	116	190	134	350	159	14	150
TYR WT 0600/0730 AV/AP	1275	1660	1702	381	1024	824	1175	560	116	265	134	500	219	14	200

\*AV version



**Dimensions**

Sound absorbing cabinet dimensions/mm	A	B	C	D Ø	E	F	G Ø	H	I*
TYR WT 0100/0150 AV/AP	800	1000	1082	114	157	195	195	279	889
TYR WT 0280/0390 AV/AP	1050	1150	1302	159	165	254	290	305	1067
TYR WT 0600/0730 AV/AP	1450	1550	1732	219	211	365	365	378	1395

\*AV version



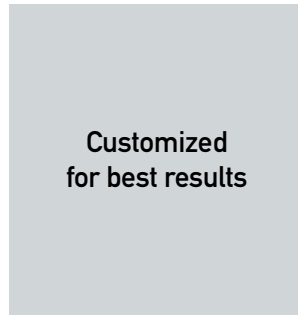
Clean and safe  
working  
environment



High  
product quality



Customized  
for best results



Reliable and  
energy-saving  
products



[www.lajac.se](http://www.lajac.se)

# LAJAC