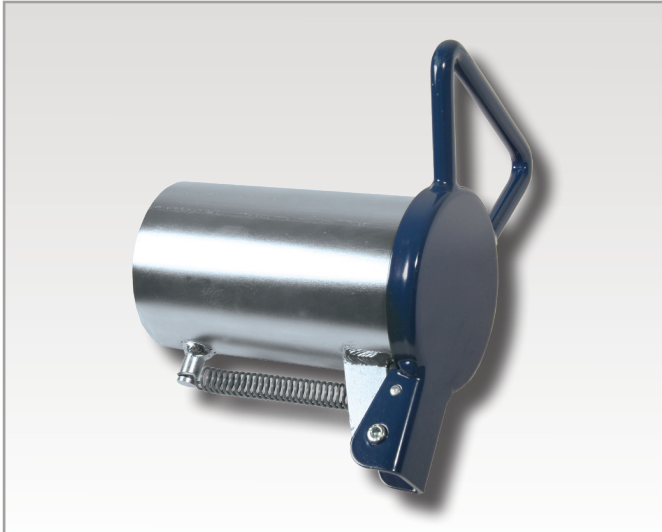
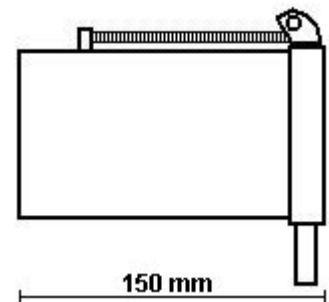


## KLVH



KLVH leaf valve is manufactured in galvanized steel. The leaf valve is used manually and normally together with the HOCH connectors.



	<b>Ø inside mm</b>	<b>Ø outside mm</b>
KLVH 076-076	76	82,5
KLVH 108-108	108	114