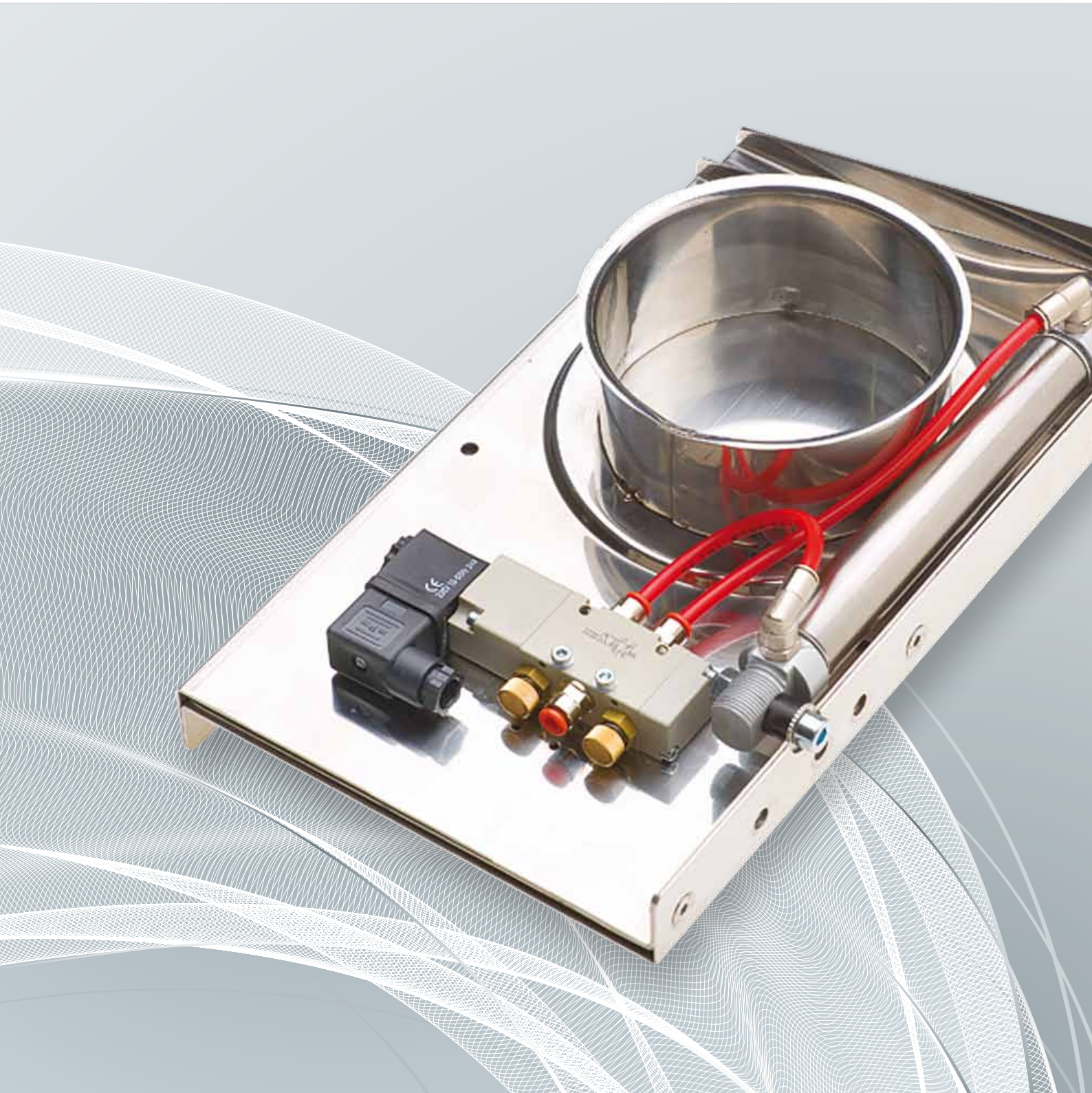


LAJAC



Pneumatic Dampers

Energy saving pneumatic dampers

In industry, manual dampers are often used in the extraction process and in worst case no dampers are used at all.

This means that many extraction points are often open though the machines are not in use, which means unnecessary extraction at all extraction points, high energy consumption and a high wear on filters and fans.

On existing extraction systems, in most cases there can be a much better extraction simply by installing automatic dampers. In this way you might avoid costly expansions or change of filters and fans.

On new installations, you can also reduce costs for filter systems and fans, this by using automatic dampers linked to the machines that automatically open the dampers when they goes on. Further, the efficiency becomes correctly optimized when the dampers are closed while the machines are not in use.

By installing automatic dampers at each extraction point, the working environment increases while the total need of extraction minimizes. Costs of, for example energy consumption, service, maintenance and cleaning then becomes reduced.



Magnetic sensor



Magnetic valve



Micro switch



Micro switch



Asseccories



Damper blade cover

Straight edge



Pull rings edge



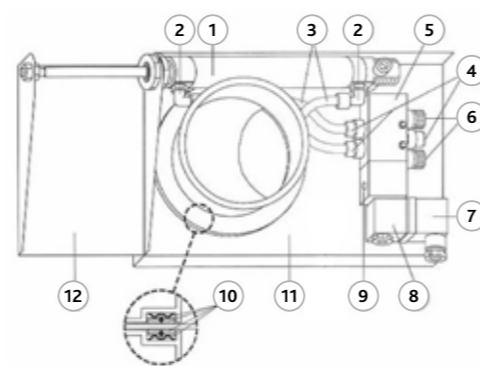
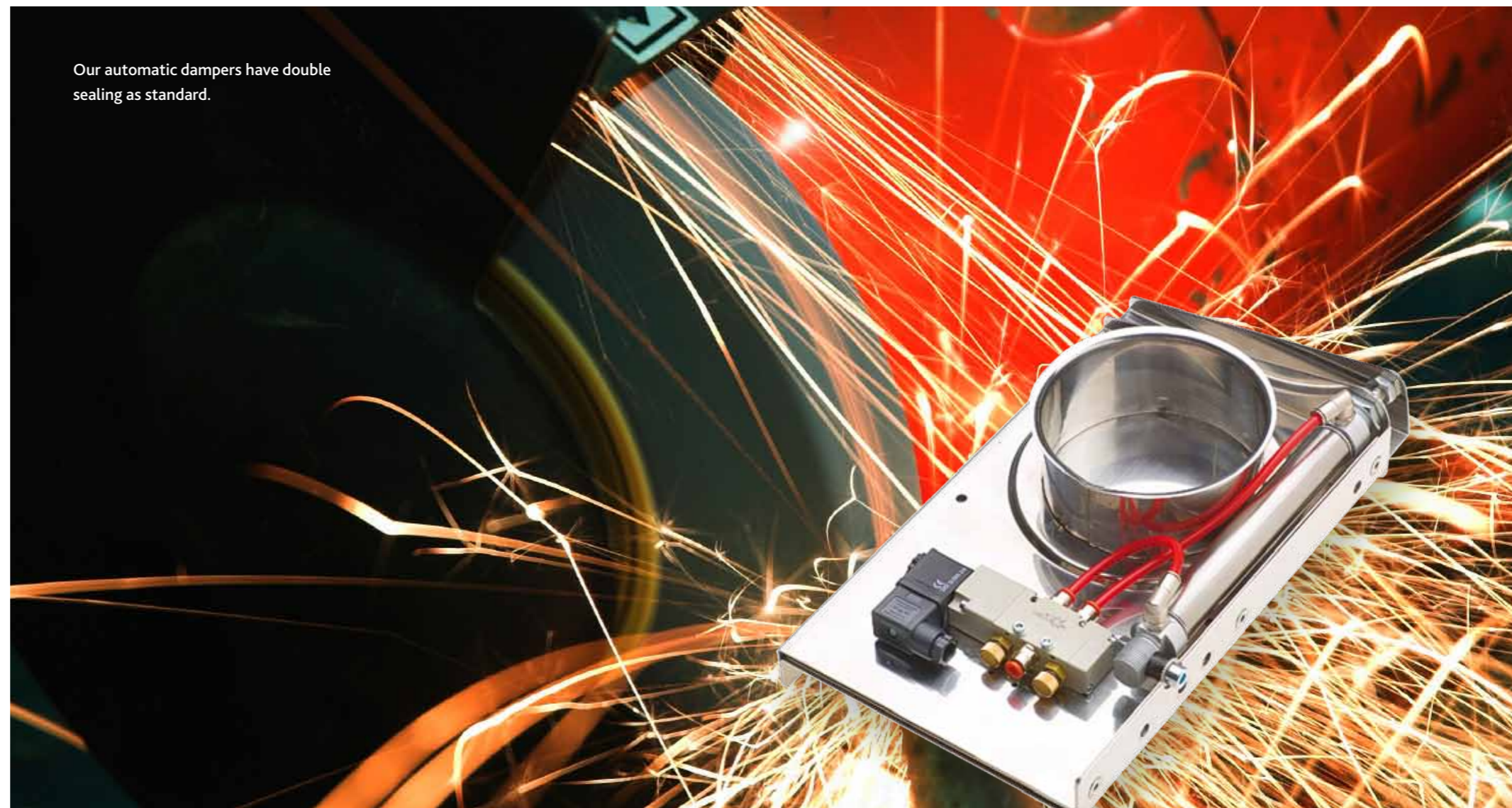
Rolled edge



Flange



Our automatic dampers have double sealing as standard.



- | | |
|---|--|
| 1 Pneumatic cylinder | 7 Cable terminal |
| 2 Rotating angel connection
1/8" – 6 mm hose | 8 Coil 230V AC or 24V AC/DC
(other voltages available on request) |
| 3 Hose 6mm | 9 Screw for manual operation of Solenoid valve |
| 4 Connection 1/8" – 6mm hose | 10 Sealings |
| 5 Magnetic valve | 11 Damper housing |
| 6 Silencer/adjustment | 12 Damper blades |

- Energy saving
- Better working environment
- Complete with micro switch or position indicator
- Affordable with a optimal operation

A quality check is made of components at each received delivery to ensure the final assembly. When dampers are assembled, a 100% system control is made to assure the functionality. All this is done according to specifications in Lajac's premises.

© No material in this catalogue may be reproduced or transmitted in any form without the written consent of Lajac AB. We reserve the right for typographical errors.

With our experience in extraction, and dampers in particular, our products are guaranteed to keep for many years with high quality.

Our automatic dampers are available for most types of industries. Typical applications are extraction of shaving, dust, oil mist and production waste.

For more information

To further get an insight about Lajac and our products, you are welcome to visit our web site, where you can also download our catalogue.

You may also contact us by mail or phone.

Welcome to Lajac!



www.lajac.se

LAJAC